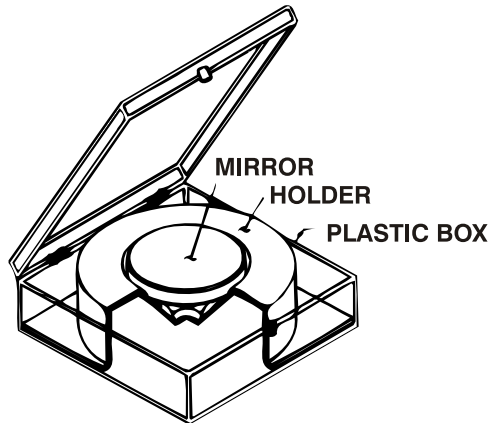


PLASTIC SUBSTRATE HOLDERS

PRODUCT SHEET

For Shipping and Storage

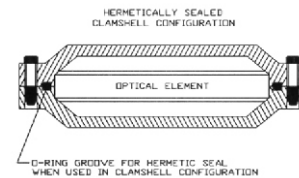
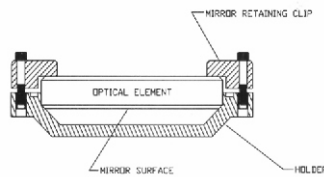
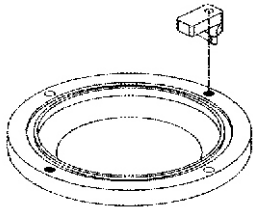


SPAWR Industries, Inc. offers the optimum in low cost protective containers for optical grade mirrors. The "Plastic Substrate Holder" is a device used for storing, shipping and handling high quality optical mirrors. The mirror is securely mounted in a plastic container which prevents any mechanical contact of the polished mirror surface. These containers are designed to hold 1", 1.5" and 2" diameter standard mirrors. Custom sizes on request.

Cat. No.	Diameter	Thickness
502.1	1"	1/4"
502.1.5	1.5"	1/4"

Typical shipping/storage container for 1" to 2" diameter mirrors

The holders shown below are available as a single holder with two each clamps to secure the mirror or in a clamshell configuration with an O-ring groove to create a hermetic seal.



Cat. No.	Diameter	Thickness
503-400	4"	3/4"
503-600	6"	1"

Cat. No.	Diameter	Thickness
ALSH-121	8"	
ALSH-141	10"	
ALSH-161	12"	

Upon special request aluminum cast shipping/storage holders are available in 8", 10", and 12" diameter sizes. These holders are shipped with retaining clamps to secure the mirror.

Delivery for holders 1" to 6" diameter is 2 weeks ARO. Delivery for holders 8" diameter and above is 8 weeks ARO.